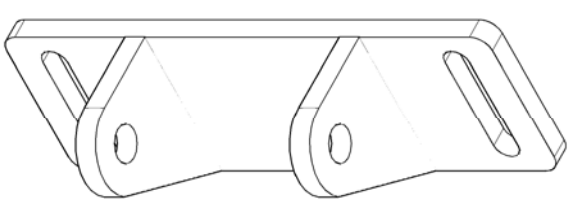
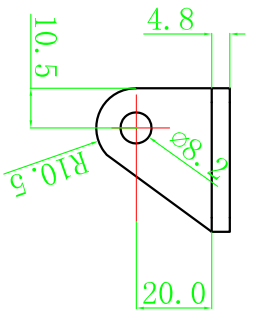
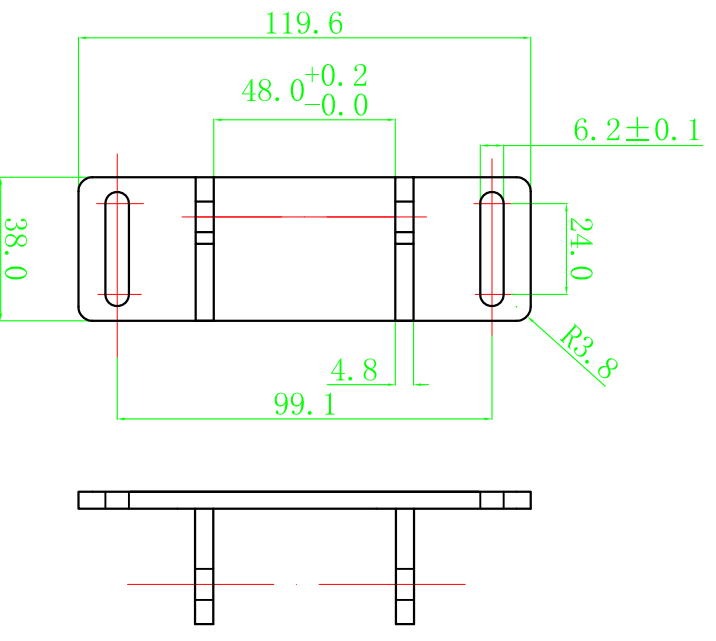


1	RevNo	Revision note	2	3	Date	4	Signature	Checked
---	-------	---------------	---	---	------	---	-----------	---------

表面处理
去毛刺，飞边



Itemref	Quantity	Title/Name, designation, material, dimension etc			Article No./Reference
Designed by XXX	Checked by XXX	Approved by - date XXX - 00/00/00	File name XXX	Date 00/00/00	Scale 1:2

谦宏科技hongtools.com

压铸脚撑

Edition		0
Sheet		1/1

