

8 7 6 5 4 3 2 1

D

C

B

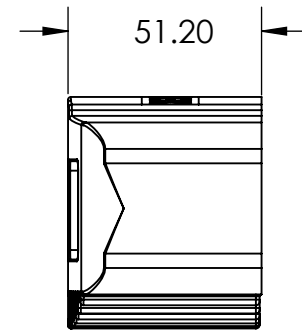
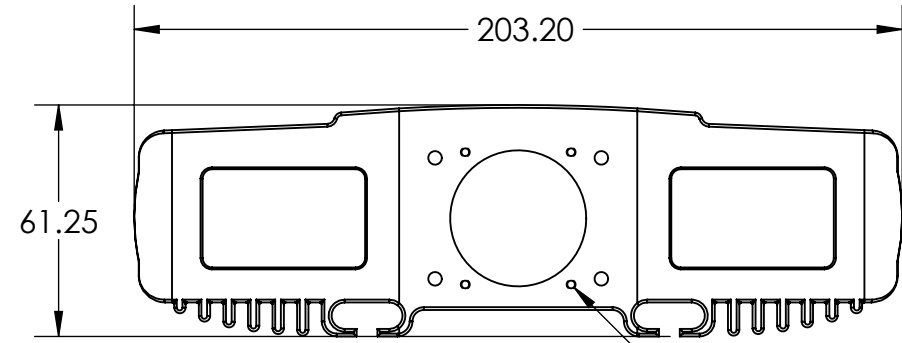
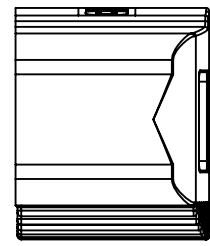
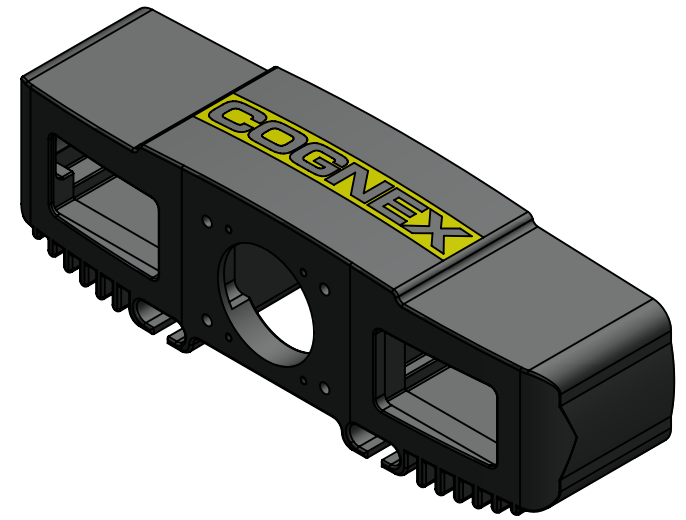
A

D

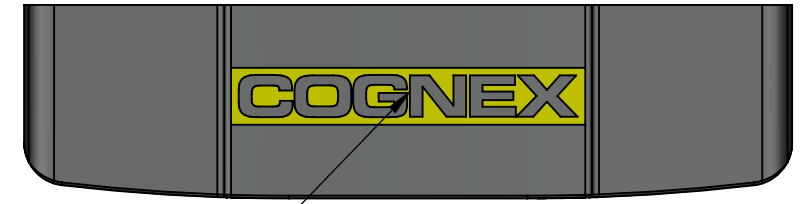
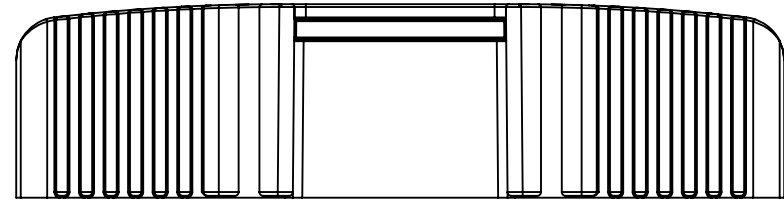
C

B

A



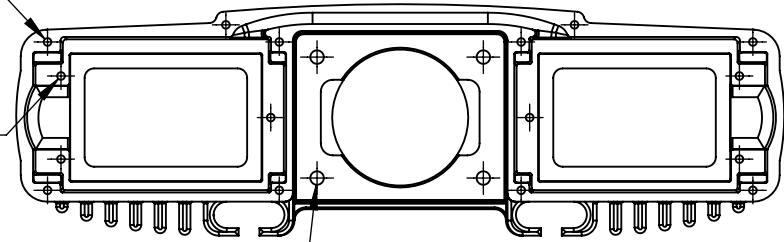
4X  $\phi$  2.05  $\nabla$  2.50  
M2.5X0.45 - 6H  $\nabla$  5



Cognex name with "Pantone Yellow" background

10X  $\phi$  2.05  $\nabla$  6.35  
M2.5X0.45 - 6H  $\nabla$  5

6X  $\phi$  2.05  $\nabla$  6.35  
M2.5X0.45 - 6H  $\nabla$  5



4X  $\phi$  3.60 THRU

**PROPRIETARY AND CONFIDENTIAL**  
THE INFORMATION CONTAINED IN THIS DRAWING IS THE SOLE PROPERTY OF SMART VISION LIGHTS. ANY REPRODUCTION IN PART OR AS A WHOLE WITHOUT THE WRITTEN PERMISSION OF SMART VISION LIGHTS IS PROHIBITED.

		UNLESS OTHERWISE SPECIFIED:		NAME	DATE
		DIMENSIONS ARE IN MM		DRAWN	Dykema 10/29/2013
		TOLERANCES:		CHECKED	
		FRACTIONAL $\pm$ 1-64		ENG APPR.	
		ANGULAR: MACH $\pm$ .25° BEND $\pm$ 3°		MFG APPR.	
		TWO PLACE DECIMAL $\pm$ .10mm		Q.A.	
		THREE PLACE DECIMAL $\pm$ .01mm		COMMENTS:	
		INTERPRET GEOMETRIC TOLERANCING PER:			
		MATERIAL			
		<b>ALUM</b>			
NEXT ASSY		USED ON			
APPLICATION		FINISH			
		<b>Black Powder Coat</b>			
		DO NOT SCALE DRAWING			
				TITLE:	
				ODDM-302 Cognex Light Engine	
SIZE	DWG. NO.			REV	
<b>B</b>	ODDM-302 Casting R3				
SCALE: 1:2		WEIGHT:		SHEET 1 OF 1	

8 7 6 5 4 3 2 1