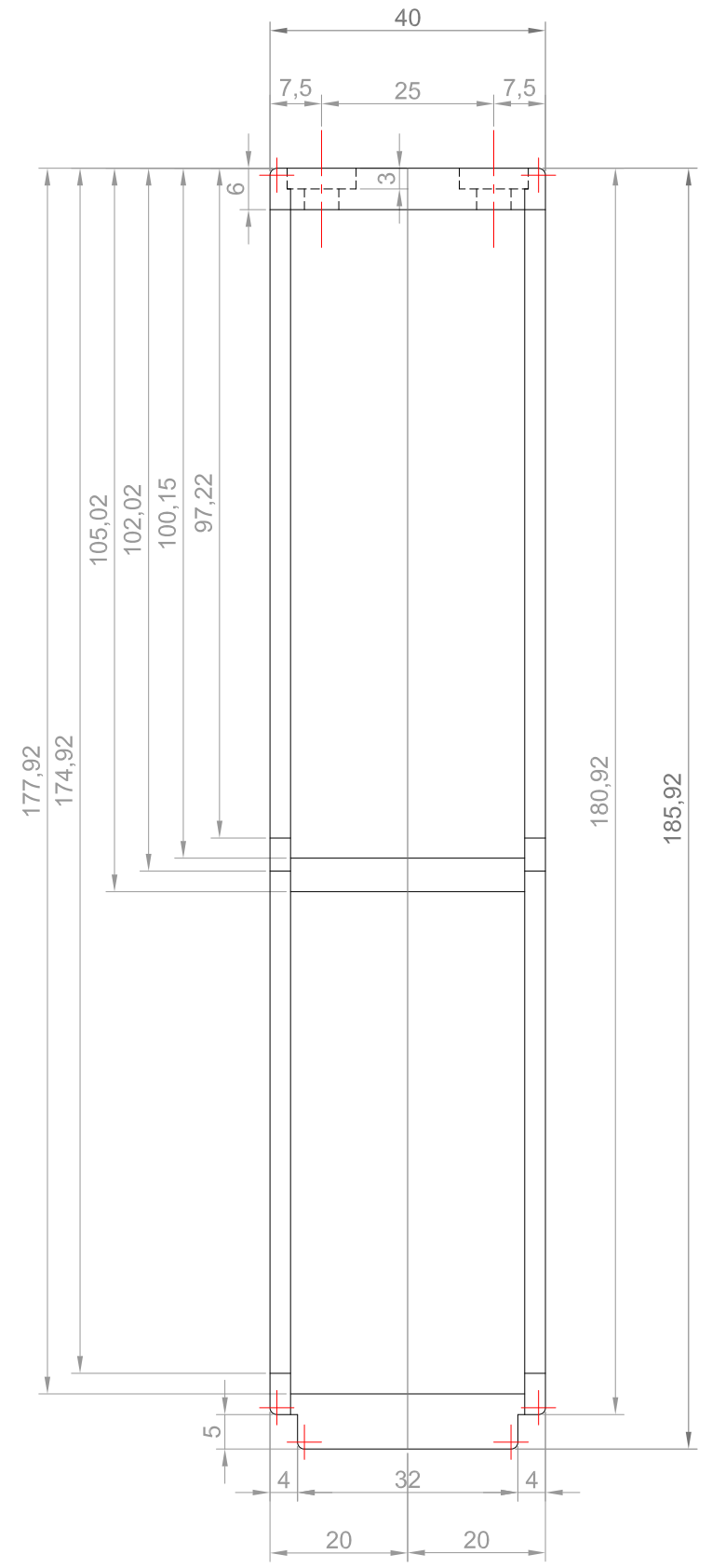
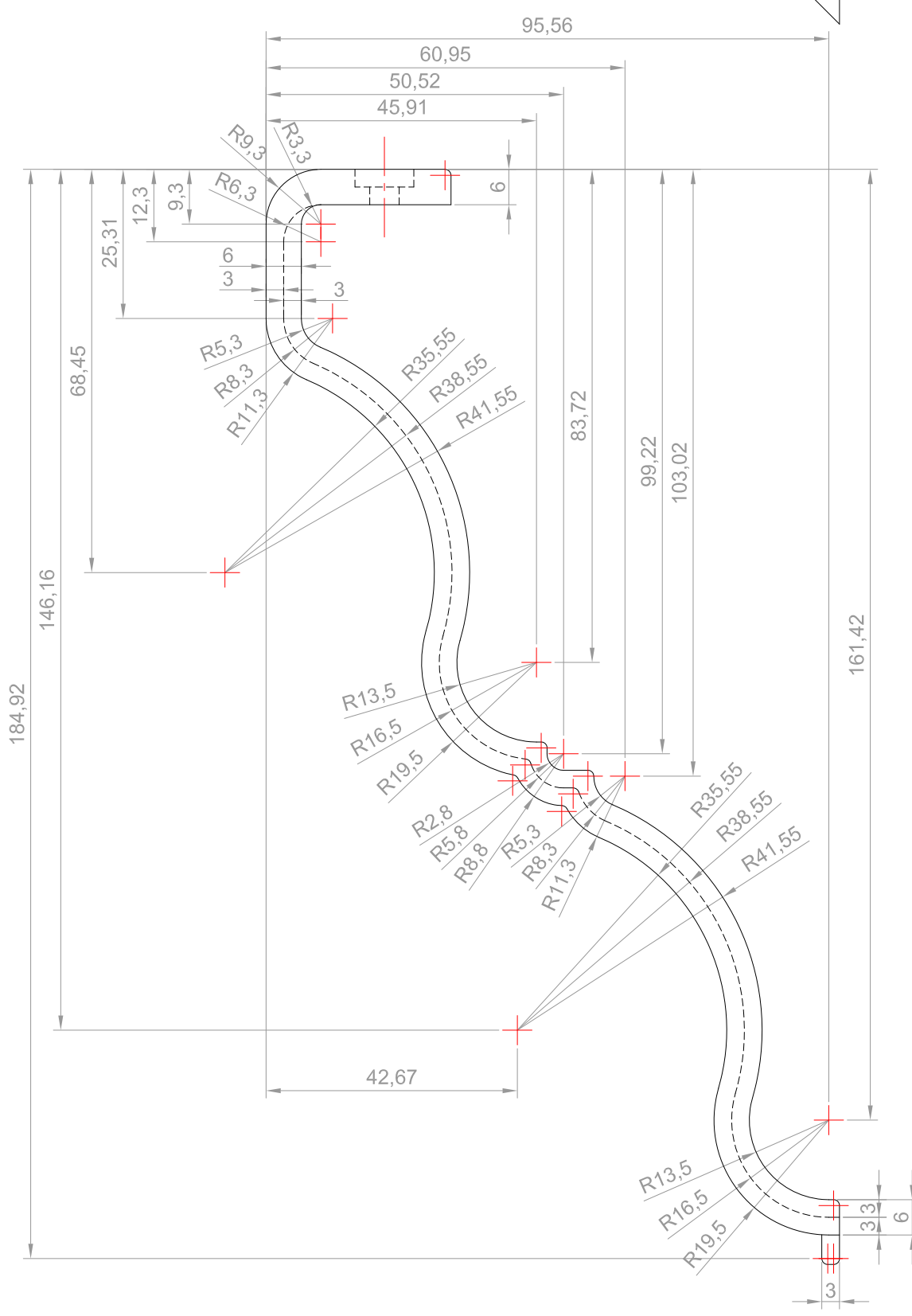
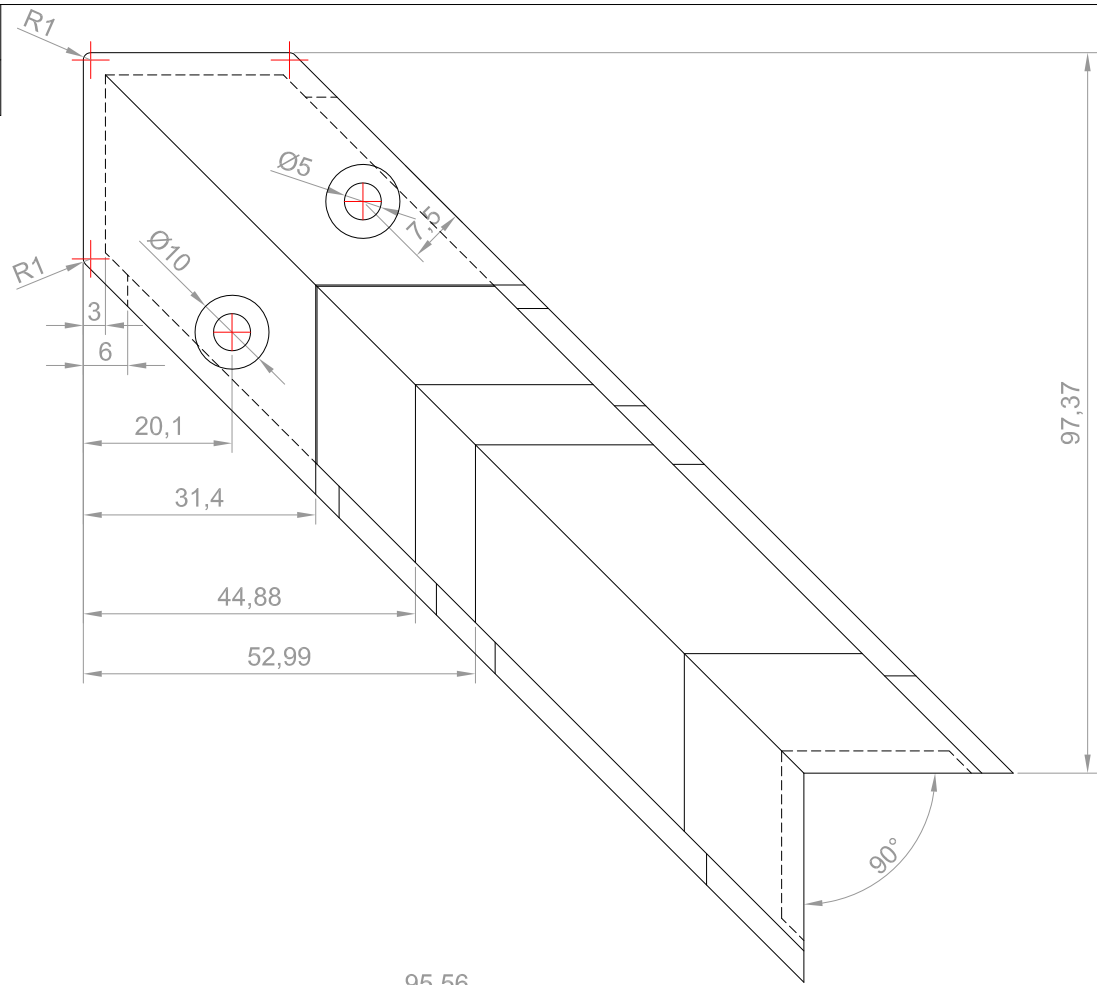


Tool No. X90E-TOP  
 Issue No. ORDER (C)

All Unspecified  
 Radii = 1.0mm



Do Not Scale ----- All Dimensions In Mm  
 Revisions/Notes: Order C - increase width of interlock tab from 20mm to 32mm

Title: 90° Joint Clad - Fascia Top  
 Date: 10/01/12  
 Drawn By: G Tabberer  
 Approved By:

Scale: Do Not Scale