

/图纸上未注尺寸公差和形位公差按GB/T 1804-F和 GB/T 1184-K。

0.2 /表面硬质阳极氧化处理，膜厚40μm以上。

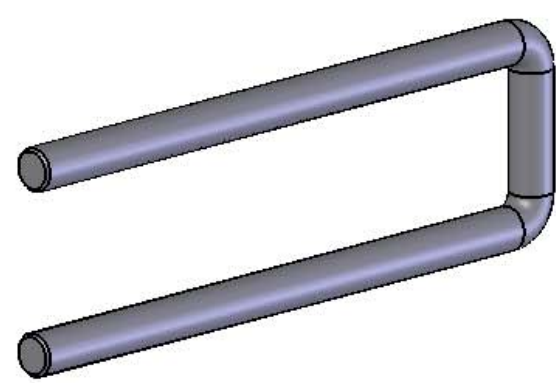
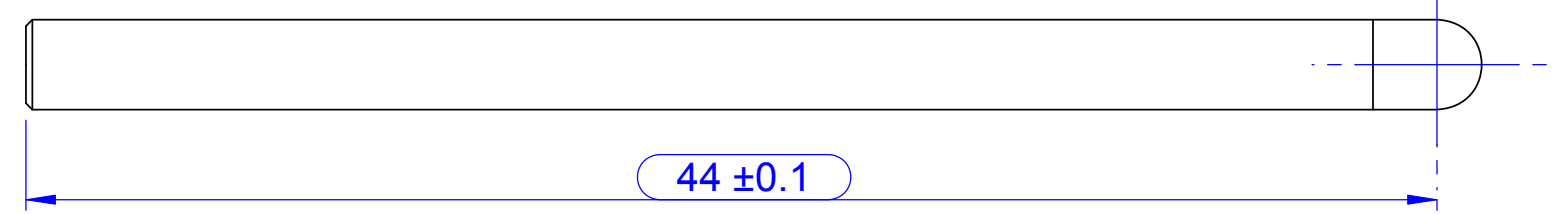
/所有尺寸为硬质阳极氧化后尺寸。

/表面糙度均为1.6。

/零件运输过程中请保护好以防划伤、碰伤等。

/腰形框中的尺寸为关键尺寸。

/所有材料应符合RoHS和WEEE标准。



				Unless otherwise specified: Dimensions are in mm		Tolerances: (.0)=±0.3 (.00)=±0.1 (0°)=±1°		Weight[g]: 1.63 Surface area[mm2]: 874.69 Material: ADC12	
				Designer	YH.S	Date	16-Jul-12	Surface finish: SEE NOTES	
				Checker				Title: 耦合杆/COUPLING ROD	
				Standardization				Drawing No. NPS-H-2_1004	
				Appr.By				DO NOT SCALE DRAWING	
0.2	CN-2012-432	YH.S	16-Jul-12					All rights strictly reserved. Reproduction or issue to third parties in any form whatever is not permitted without written authority from the proprietor. Property of NETOP	
0.1	Initial	YH.S	21-Jun-12					Size: A4	
Rev.	Change	Name	Date					Item No. 617523	